

Ceiling

Models

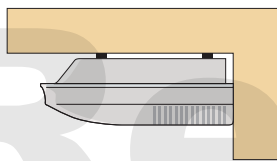
- AB*A30LBTH**
- AB*A36LBTH**
- AB*A45LBTH**
- AB*A54LBTH**

Easily concealed in any installation



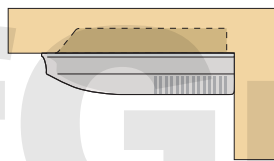
Installation

Open



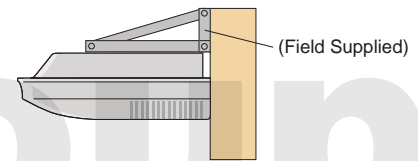
General installation pattern which suspends the indoor unit from the ceiling.

Concealed



Installation pattern where part of the indoor unit is embedded into the ceiling.

Wall mounted



Installation which fixes the indoor unit to the wall by the use of wall brackets (Field supplied). This type of installation can be used when the ceiling space is insufficient.

Specifications

Model name			AB*A30LBTH	AB*A36LBTH	AB*A45LBTH	AB*A54LBTH
Power source			230V ~, 50Hz			
Capacity	Cooling	kW	9.0	11.2	12.5	14.0
	Heating		10.0	12.5	14.0	16.0
Input power		W	66	85	131	180
Airflow rate	High	m ³ /h	1,630	1,690	2,010	2,270
	Med		1,370	1,400	1,600	1,780
	Low		1,140	1,170	1,230	1,280
Sound pressure level	High	dB(A)	42	45	48	51
	Med		38	38	42	45
	Low		33	34	35	36
Dimensions (H x W x D)		mm	240 x 1,660 x 700			
Weight		kg	47	48		
Connection pipe diameter	Liquid (Flare)	mm	ø9.52		ø9.52	
	Gas (Flare)		ø15.88		ø19.05	
	Drain		ø25 (I.D.) ; ø32 (O.D.)			

AB*: ABY(FUJITSU), ABH(GENERAL)

Note : Specifications are based on the following conditions.

Cooling : Indoor temperature of 27°CDB / 19°CWB, and outdoor temperature of 35°CDB / 24°CWB.

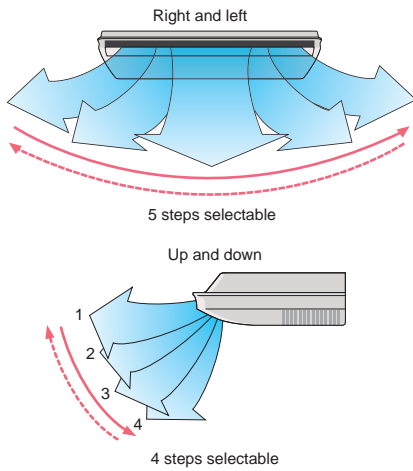
Heating : Indoor temperature of 20°CDB / (15°CWB), and outdoor temperature of 7°CDB / 6°CWB.

Pipe length : 7.5 m; Height difference between outdoor unit and indoor unit : 0 m.

Voltage : 230 [V].

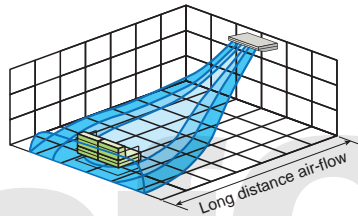
Double auto swing and wide airflow

Auto airflow direction and auto swing

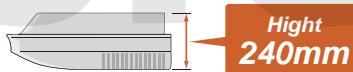


Long airflow

Long Airflow ensures comfort to every corner of a large room.

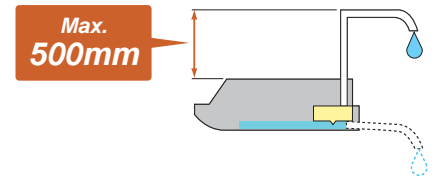


Slim & Compact design

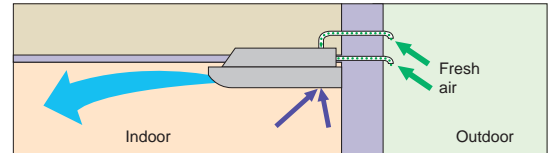


Condensate lift-up mechanism (option)

Optional drain lift-up mechanism allows flexible installation.

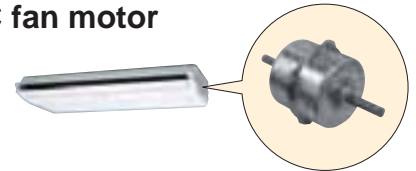


Fresh air intake



High power DC fan motor

- High power
- Wide rotation range
- High efficiency



Long-life filter

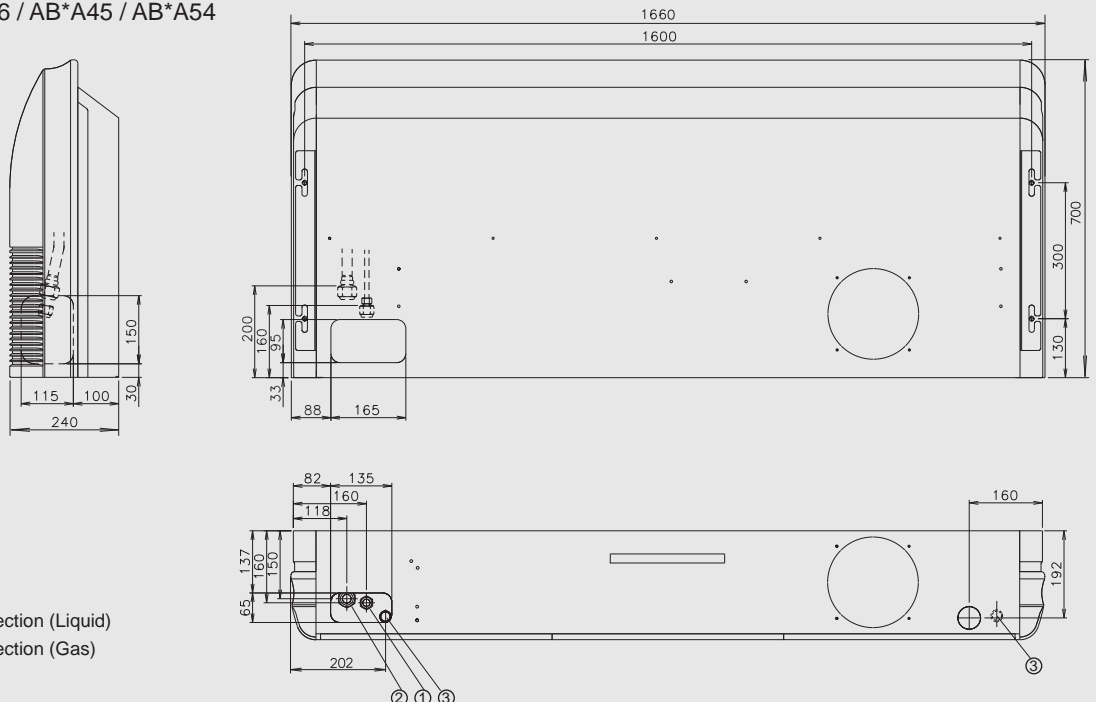
High Efficiency long-life filter doubles the life of the filter compared to standard filters.

Optional parts

Drain Pump Unit : UTR-DPB24T

Dimensions (Unit : mm)

Models: AB*A30 / AB*A36 / AB*A45 / AB*A54



- ① Refrigerant piping flare connection (Liquid)
- ② Refrigerant piping flare connection (Gas)
- ③ Drain piping connection